

ROBUS®

OUTDOOR

CUBELUX LED BOLLARD

15W, IP66



PRODUCT INFORMATION DOCUMENT

FEATURES

- Suitable for use in domestic and commercial outdoor applications as pathway and garden lighting
- Available in 600mm and 800mm heights
- Highly efficient LED replacement for traditional halogen fittings
- Equipped with high quality Osram LEDs ensuring luminaire's reliability and high output
- High quality powder coating process for high corrosion resistance
- Prewired with 1m rubber flex
- Suitable for switching by PIR, Microwave or Photocell sensors

CONSTRUCTION

- Die cast aluminium housing and polycarbonate diffuser
- FR-4 driver and LED PCB
- Stainless steel screws



WARRANTY



LIFETIME



LUMENS
PER W



IK RATING



IP RATING



OPERATING
VOLTAGE



BEAM ANGLE



DIMMING



CCT



SAFETY
CLASS

Product Code:	600mm	RX153060-25
	800mm	RX153080-25
Comparable to:		120W linear halogen
Total Power (W):		15.5
Power Factor:		0.9
Total Light Output (lm):		1460
Total Emergency Light Output (lm):		NA
Efficacy (lm/cctW):		94
Lux at 1m (lux):		160
Emergency Lux at 1m (lux):		NA
CCT (K):		3000
CRI:		80
IP:		66
Operation Temperature (°C):		-20 ≤ Ta ≤ +45
Inrush Current:		12A/16us
RG Value:		0
SDCM:		6
Pst LM:		NA
SVM:		NA
Energy Class:		E
Rated Life to L70B50 (Hrs):		50000
Dimensions LxWxH (mm):		120x120x600/800
Weight (kg):		3.1/3.6
Separate Control Gear Information		
Type of Light Source:		LED
Full Load Efficiency (%):		87
P _{NET} (W):		NA
Dimensions (mm):		58x40x24

Product is certified to all the relevant standards.

Please contact our technical department for market specific compliances.

PLEASE NOTE: INFORMATION IN THIS DOCUMENT MAY BE SUBJECT TO CHANGE WITHOUT PRIOR NOTICE

IRE: TEL: +353 1 709 9000
UK: TEL: 0800 973 220
AUS: TEL: +61 7 3890 5444
NZ: TEL: +64 03 668 5285

WEB: ROB.US.COM
WEB: ROB.US.COM
WEB: ROB.US.COM.AU
WEB: ROB.USLED.CO.NZ

LED GROUP EUROPE · UK · AUSTRALIA · NEW ZEALAND · ASIA · MIDDLE EAST · AFRICA

CUBELUX LED BOLLARD

15W, IP66

Cone Illuminance Diagram

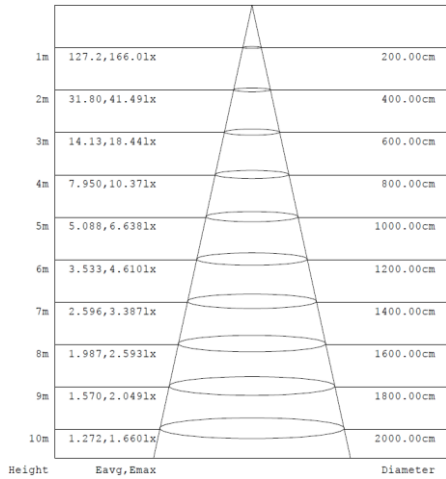


Diagram for RCX153060-25 in 3000K. Other diagrams available on request

Polar Intensity Diagram

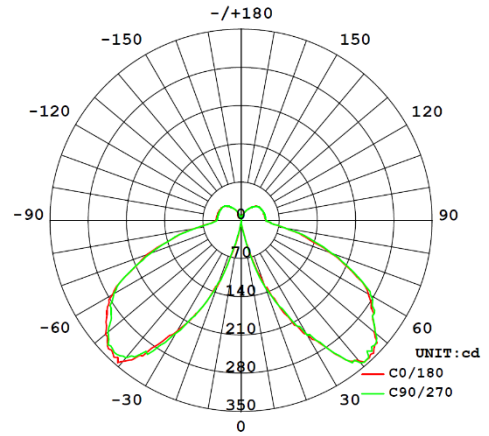
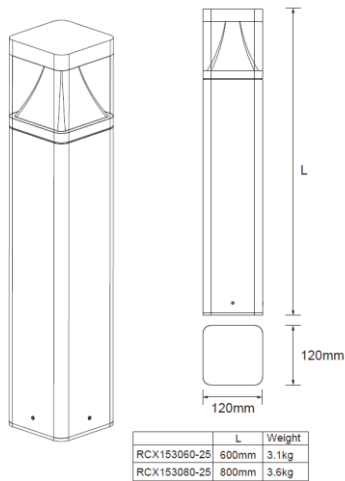


Diagram for RCX153060-25 in 3000K. Other diagrams available on request

Dimension Diagram



Accessories

NA

Sensor Data

Time Off Delay:	NA
Illuminance Switching Range:	NA
Sensitivity Range (%):	NA
Mounting Height (max):	NA
Detection Zone Diameter (max):	NA

PLEASE NOTE: INFORMATION IN THIS DOCUMENT MAY BE SUBJECT TO CHANGE WITHOUT PRIOR NOTICE